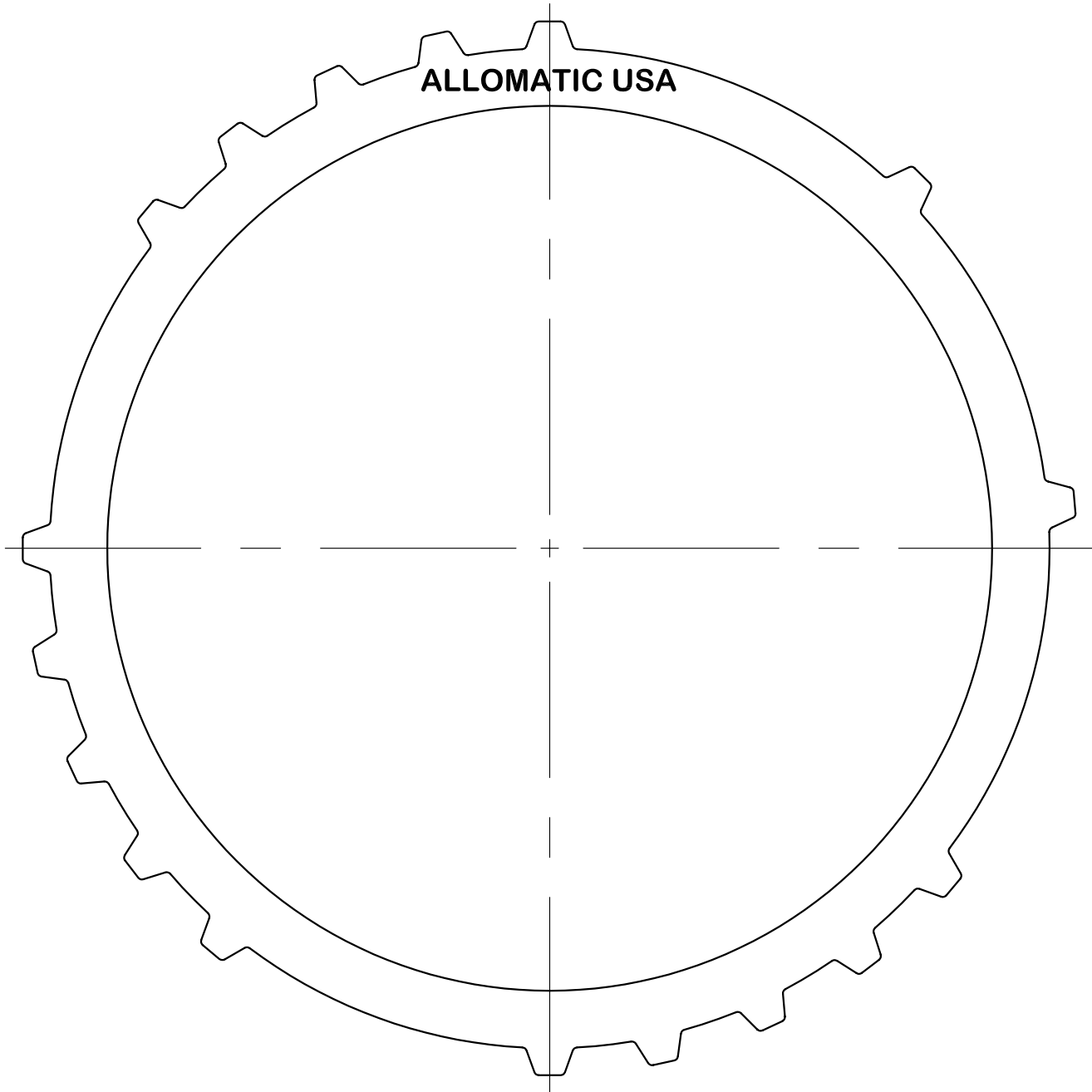


CLUTCH PLATE DATA:		PART NUMBER 1026	MITSUBISHI F4A41/42 1996-UP
NUMBER OF TEETH	17		
OUTSIDE DIAMETER	6.605±.010	ALLOMATIC 609 EAST CHANEY STREET SULLIVAN, INDIANA 47882 www.allomatic.com	LOW/REVERSE
INSIDE DIAMETER	5.545±.010		
OVERALL THICKNESS	.040±.003		



04/16/03